

LPST 220

220 Gallon Low Profile Storage Tank

This tank includes a lid, and 1 fitting of your choice up to a size of 2"
Frames are also available for a single, double, or triple stacking applicaion.

Fittings

(Are not able to be placed in the ribbed area)

They are a plastic fittings and range in size from ½" to 4"

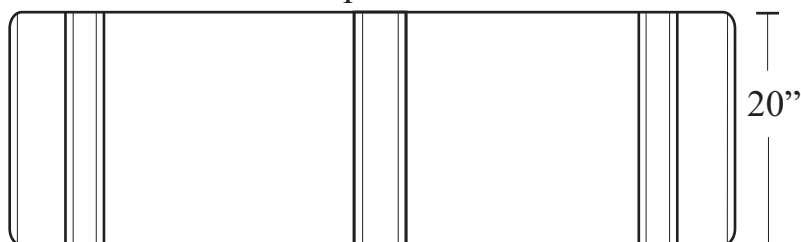
Lids

4" Vented

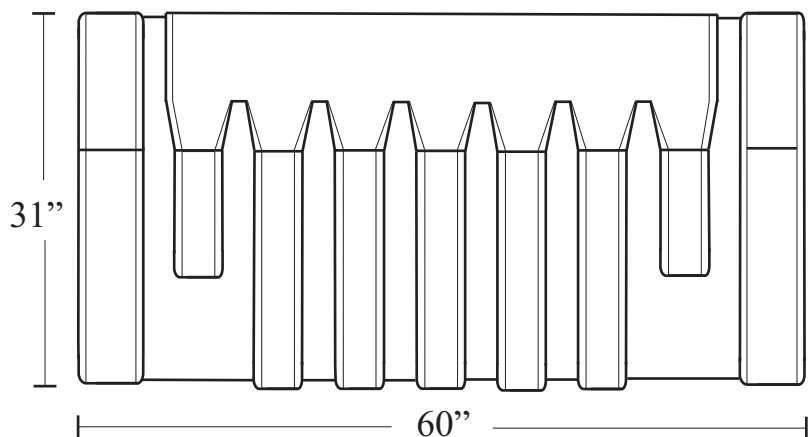
8" Vented or Non

16" Vented or Non

Top View



Side View



End View

